

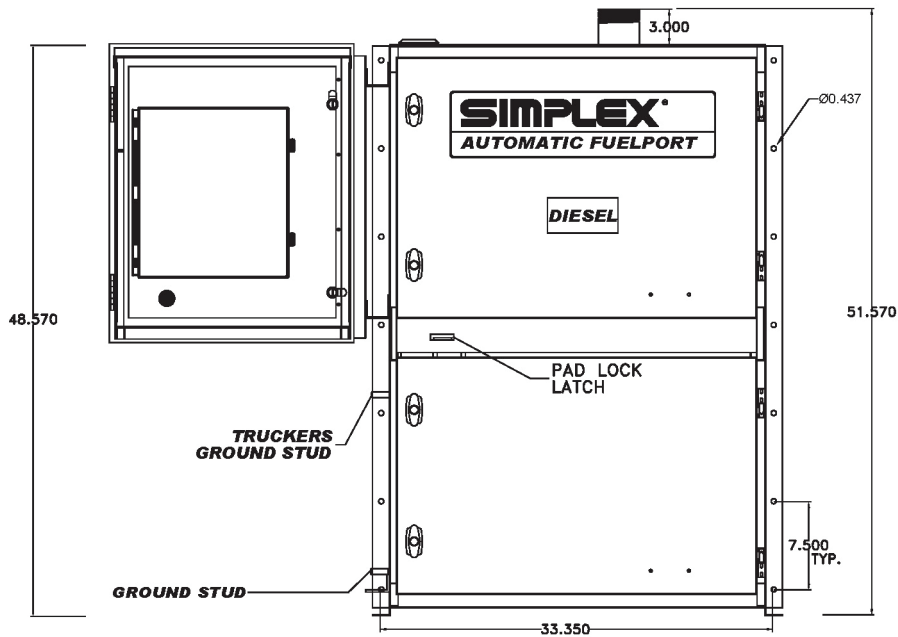
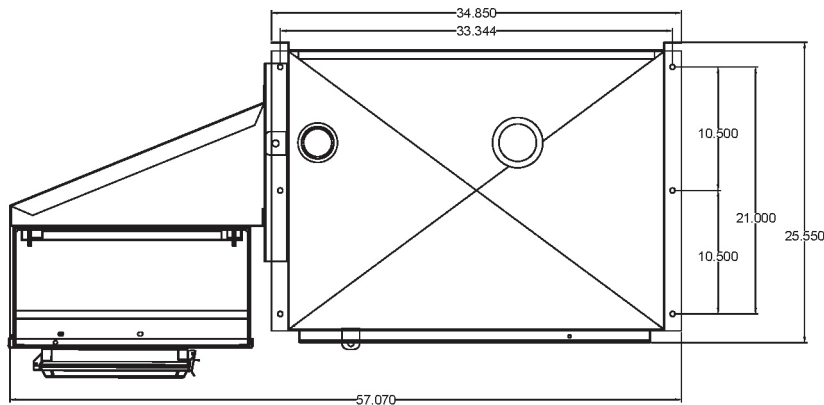
## Automatic FuelPort for Filling Multiple Tanks



### Description

When used for filling of two or more tanks, the Automatic FuelPort allows for operator selection of the tank to be filled with automatic lockout of all off-line tanks. Sophisticated interlocks prevent inadvertent filling of a non-selected tank.

Tank Full alert and High Level automatic shutoff are provided. Tank level indicator and (optional) leak sensing are included.



### Automatic FuelPort Order Checklist

- If gasoline use, is vapor recovery required?
- How many tanks to fill?
- Tank leak sensing required?
- Size fill fittings: 2", 3" or 4"?
- Accurate tank dimensions required, 2" or 4" fitting required for transmitter (specify)
- Specify options